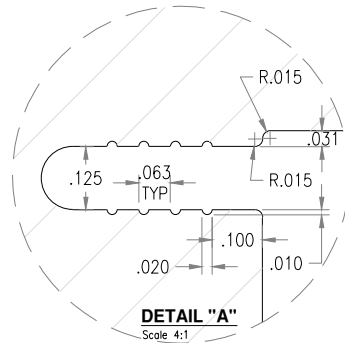
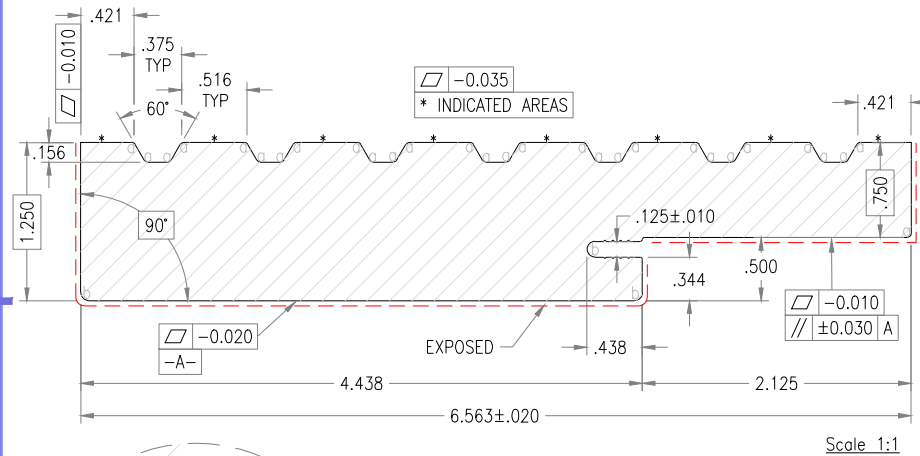


Finished Surface  
-----



a=R.030  
b=R.063

SEQ:	DATE:	DESCRIPTION:	BY:

**Door Jamb**

CUSTOMER:	SUBSTRATE:	TOT. AREA:	DRAWN: Stafford
CUST. DWG:	FINISH PERM:	CELL AREA:	DATE: 6/26/00
LIAISON:	BENDABLE?	CAP AREA:	SCALE: NOTED
PROCESS:	EMBOSSSED?	FLEX AREA:	PROJECT: A
		RIG. AREA:	

UNSPEC. DIMENSIONS ARE REF.  
BOXED DIMENSIONS ARE ± 0.016  
BOXED ANGLE DIMS ARE ± 1.0'

UNSPEC. INSIDE RADI 0.010  
UNSPEC. OUTSIDE RADI 0.010  
UNSPEC. FLATNESS - FLAT/CONCAVE